



หน้าจอแสดงผลใหญ่พิเศษ



SPECIFICATIONS

Operating Voltage(U _n)*	: AC220V ± 10%	Burden	: <1 VA
Operating Range(ΔU)	: 45-65Hz	Equipment Protection	: Double insulation (), Measuring Category III
Operating Frequency(f)	: 0.5	Ambient Temperature	: -5°C to +50°C
Accuracy Class	: 10-600V AC	Degree of protection	: IP 40(Front Panel)
Measuring Input(V _{in})	: <4 VA	Installations	: Flush Mounting With rear terminals
Power consumption (P _{cons})	: 0, 05-5, 5A		
Measuring Input(I _{in})	: 5...9995/5A		
Current Transformer Ratio(Ct)	: 30.0 - 99.9Hz		
Operating Frequency(f)			

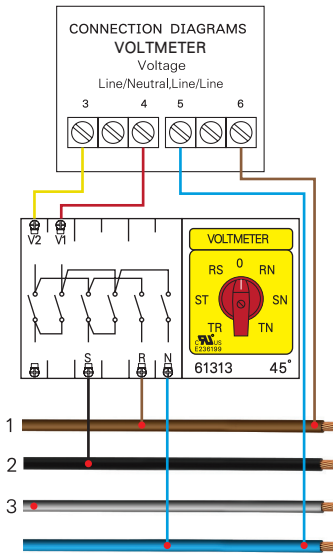
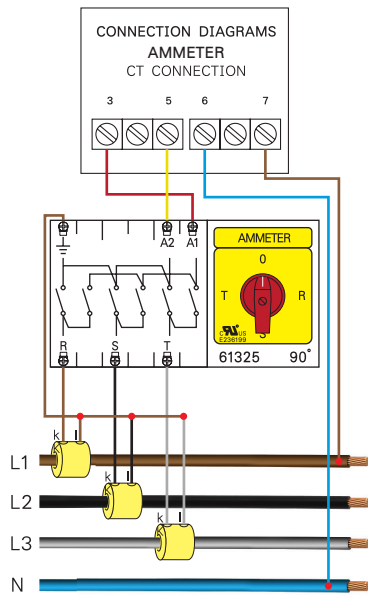
ดิจิตอลแอมป์มิเตอร์ (Digital Ammeter)

รุ่น Model	Parameters measuring function	Accuracy Class	Phase	Power Supply	Dimension (mm.)
SMD-96A	Direct 0.05A-5A, CT 5-9995/5A	0.5	Single-phase current	220VAC	96x96x40

BIG DISPLAY



SMD-96A

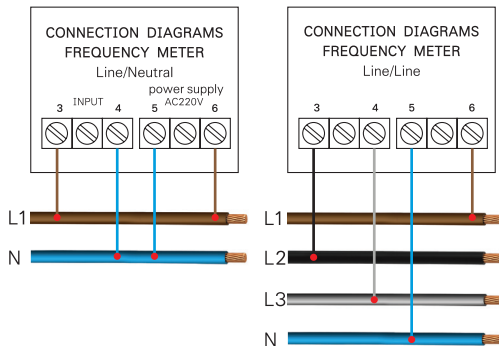


ดิจิตอลโวลท์มิเตอร์ (Digital Voltmeter)

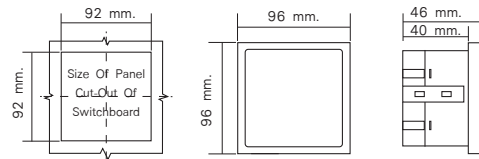
รุ่น Model	Parameters measuring function	Accuracy Class	Phase	Power Supply	Dimension (mm.)
SMD-96V	Direct 10-600V	0.5	Single-phase voltage	220VAC	96x96x40



SMD-96V



DIMENSION 96x96mm



ดิจิตอลไซเกิลมิเตอร์ (Digital Frequencymeter)

รุ่น Model	Parameters measuring function	Accuracy Class	Phase	Power Supply	Dimension (mm.)
SMD-96HZ	30-99.9Hz	0.5	Single-phase Line-Neutral Three-phase Line-Line	220VAC	96x96x40



SMD-96Hz

