



MAIN FEATURES :

- ✓ Metallic bottom shell
- ✓ Built-in contact stand has double-spring, so it has long mechanical life
- ✓ Strong electric property 10A, 250V for 500,000 times

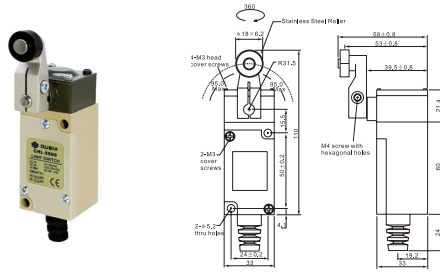
Specification

Model - CHL	5000	5030	5050	5100	5200	5220	5300	5330
Operating force (max.)	750g-cm	750g-cm	750g-cm	750g-cm	900g-cm	900g-cm	150g	150g
Release force (min.)	100g-cm	100g-cm	100g-cm	200g	200g	200g	30g	30g
Pre-travel (max.)	20°	20°	20°	1.8mm	1.8mm	1.8mm	30mm	30mm
Tripping position ±10%	22.5°	22.5°	22.5°	2.0mm	2.0mm	2.0mm	22.5°	22.5°
Movement dif. (max.)	10°	10°	10°	1.2mm	1.2mm	1.2mm	14°	14°
Over travel (min.)	75°	75°	75°	4.0mm	4.0mm	4.0mm	20mm	20mm
Total travel (min.)	95°	95°	95°	5.8mm	5.8mm	5.8mm	50mm	50mm

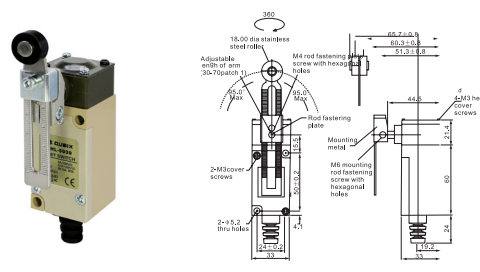
Characteristics

Double Break Mechanism	INO+INC Force break snap action
Rated Voltage / Current	10(4)A, 125, 250Vac / 6(2)A, 380Vac for inductance load, Cos Ø = 0.4
Contact Resistance	25MΩmax.(initial value)
Insultation Resistance	100MΩmin.(at 500Vdc)
Dielectric Strength	1000Vac, 50/60Hz for 1 minute between terminal of the same polarity
	1500Vac, 50/60Hz for 1 minute between current-carrying and non-current-carrying metal parts
	1500Vac, 50/60Hz for 1 minute between each terminal and ground
Electrical Life	500,000 at 10A 250Vac Resistive
Mechanical Life	10,000,000 operations min.(under rated conditons)
Operating Speed	5mm/s to 0.5m/s
Degree of Protection	IP65
Ambient Temperature Rised	Max 30 °C over ambient temperature at rated voltage / current
Conformed Standards	Cenelec EN50041, EN50047, IEC337-1 and VDE0660
Operating Temperature	-5°C~+65°C(with no icing)
Storage Temperature	-5°C~+65°C(with no icing)
Ambient Operating Humidity	<95%RH
Shock Resistance	Mechanical durable: 1000m/s ² min.
	Malfuction: 300m/s ² min.
Vibration Frequency	Malfuction: 10 to 55Hz 1.5mm double amplitude
Terminal Screw Torsional Force	6-8 kgf-cm
Other Screw Torsinal Force	Cover 12-14 kgf-cm / Head 8-9 kgf-cm / Mounting 50-60 kgf-cm
Bare Wire Diameter	Ø2 max.
Cable Diameter	Ø9 max.(IP65 if use cable Ø8-9)

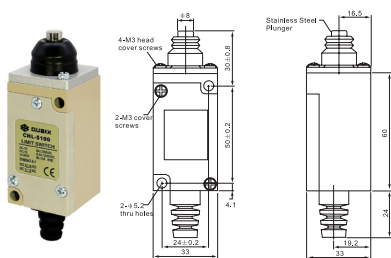




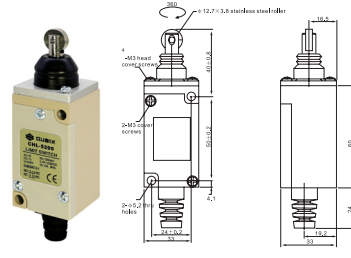
CHL-5000



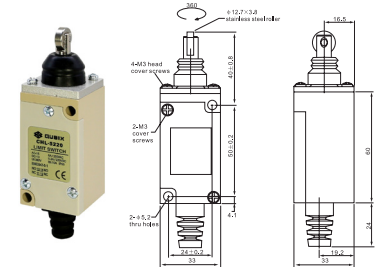
CHL-5030



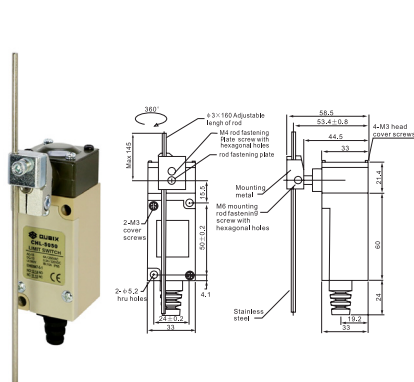
CHL-5100



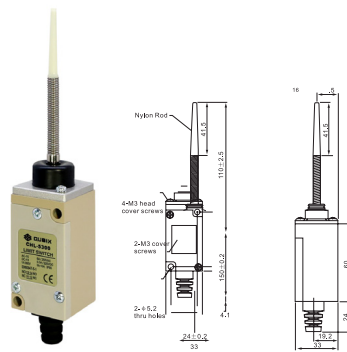
CHL-5200



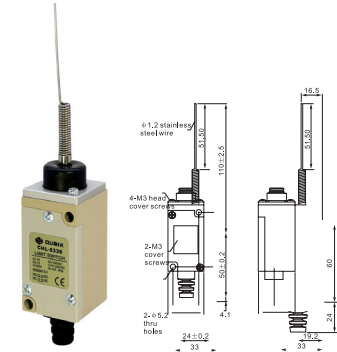
CHL-5220



CHL-5050



CHL-5300



CHL-5330

CHL Series

รุ่น (Model)	ลักษณะหน้าสัมผัสทำงาน	Rated Current / Voltage	Contact Type	Terminal Type
CHL-5000	Roller Lever	5A / 250V	DPDT 1NO, 1NC	SCREW TYPE
CHL-5030	Adjustable Roller Lever	5A / 250V	DPDT 1NO, 1NC	
CHL-5050	Adjustable Rod Lever	5A / 250V	DPDT 1NO, 1NC	
CHL-5100	Push Plunger	5A / 250V	DPDT 1NO, 1NC	
CHL-5200	Roller Plunger	5A / 250V	DPDT 1NO, 1NC	
CHL-5220	Cross Roller Plunger	5A / 250V	DPDT 1NO, 1NC	
CHL-5300	Coil Spring With Plastic End	5A / 250V	DPDT 1NO, 1NC	
CHL-5330	Spring wire	5A / 250V	DPDT 1NO, 1NC	

