



**MAIN FEATURES :**

- ✓ Metallic bottom shell
- ✓ Built-in contact stand has double-spring, so it has long mechanical life
- ✓ Strong electric property 10A, 250V for 500,000 times

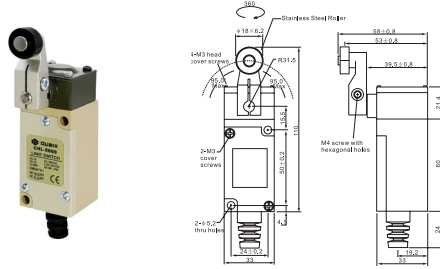
**Specification**

| Model - CHL            | 5000    | 5030    | 5050    | 5100    | 5200    | 5220    | 5300  | 5330  |
|------------------------|---------|---------|---------|---------|---------|---------|-------|-------|
| Operating force (max.) | 750g-cm | 750g-cm | 750g-cm | 750g-cm | 900g-cm | 900g-cm | 150g  | 150g  |
| Release force (min.)   | 100g-cm | 100g-cm | 100g-cm | 200g    | 200g    | 200g    | 30g   | 30g   |
| Pre-travel (max.)      | 20°     | 20°     | 20°     | 1.8mm   | 1.8mm   | 1.8mm   | 30mm  | 30mm  |
| Tripping position ±10% | 22.5°   | 22.5°   | 22.5°   | 2.0mm   | 2.0mm   | 2.0mm   | 22.5° | 22.5° |
| Movement dif. (max.)   | 10°     | 10°     | 10°     | 1.2mm   | 1.2mm   | 1.2mm   | 14°   | 14°   |
| Over travel (min.)     | 75°     | 75°     | 75°     | 4.0mm   | 4.0mm   | 4.0mm   | 20mm  | 20mm  |
| Total travel (min.)    | 95°     | 95°     | 95°     | 5.8mm   | 5.8mm   | 5.8mm   | 50mm  | 50mm  |

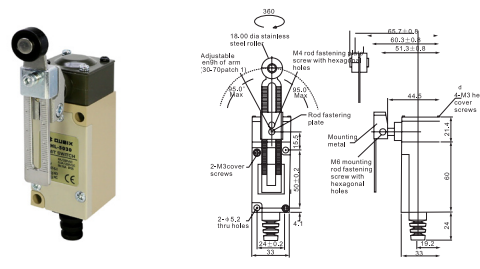
**Characteristics**

|                                |   |
|--------------------------------|---|
| Double Break Mechanism         | INO+INC Force break snap action   |
| Rated Voltage / Current        | 10(4)A, 125, 250Vac / 6(2)A, 380Vac for inductance load, Cos Ø = 0.4                        |
| Contact Resistance             | 25MΩmax.(initial value)   |
| Insultation Resistance         | 100MΩmin.(at 500Vdc)  |
| Dielectric Strength            | 1000Vac, 50/60Hz for 1 minute between terminal of the same polarity                         |
|                                | 1500Vac, 50/60Hz for 1 minute between current-carrying and non-current-carrying metal parts |
|                                | 1500Vac, 50/60Hz for 1 minute between each terminal and ground                              |
| Electrical Life                | 500,000 at 10A 250Vac Resistive   |
| Mechanical Life                | 10,000,000 operations min.(under rated conditons)   |
| Operating Speed                | 5mm/s to 0.5m/s   |
| Degree of Protection           | IP65  |
| Ambient Temperature Rised      | Max 30 °C over ambient temperature at rated voltage / current                               |
| Conformed Standards            | Cenelec EN50041, EN50047, IEC337-1 and VDE0660  |
| Operating Temperature          | -5°C~+65°C(with no icing)   |
| Storage Temperature            | -5°C~+65°C(with no icing)   |
| Ambient Operating Humidity     | <95%RH  |
| Shock Resistance               | Mechanical durable: 1000m/s <sup>2</sup> min.   |
|                                | Malfuction: 300m/s <sup>2</sup> min.  |
| Vibration Frequency            | Malfuction: 10 to 55Hz 1.5mm double amplitude   |
| Terminal Screw Torsional Force | 6-8 kgf-cm  |
| Other Screw Torsinal Force     | Cover 12-14 kgf-cm / Head 8-9 kgf-cm / Mounting 50-60 kgf-cm                                |
| Bare Wire Diameter             | Ø2 max.   |
| Cable Diameter                 | Ø9 max.(IP65 if use cable Ø8-9)   |

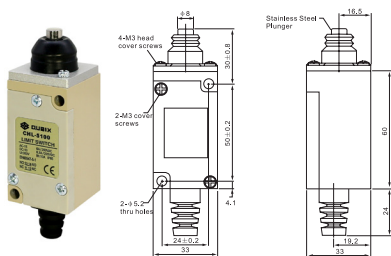




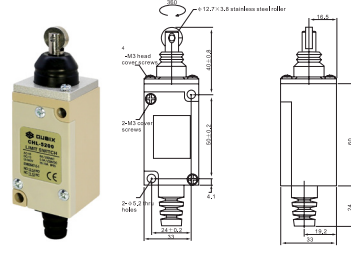
CHL-5000



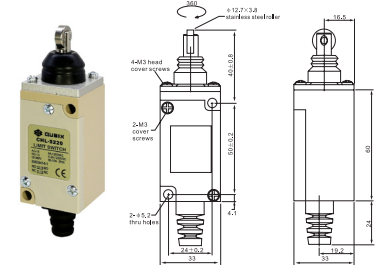
CHL-5030



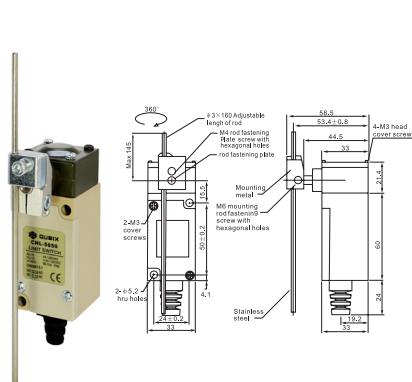
CHL-5100



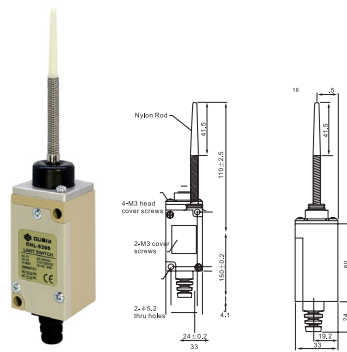
CHL-5200



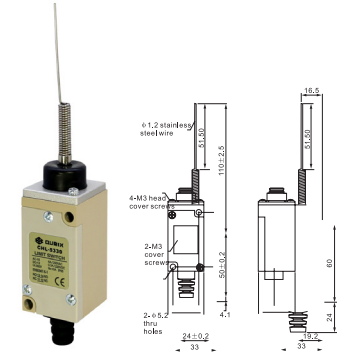
CHL-5220



CHL-5050



CHL-5300



CHL-5330

| CHL Series   |                              |                         |               |               |
|--------------|------------------------------|-------------------------|---------------|---------------|
| รุ่น (Model) | ลักษณะหน้าสัมผัสทำงาน        | Rated Current / Voltage | Contact Type  | Terminal Type |
| CHL-5000     | Roller Lever                 | 5A / 250V               | DPDT 1NO, 1NC | SCREW TYPE    |
| CHL-5030     | Adjustable Roller Lever      | 5A / 250V               | DPDT 1NO, 1NC |               |
| CHL-5050     | Adjustable Rod Lever         | 5A / 250V               | DPDT 1NO, 1NC |               |
| CHL-5100     | Push Plunger                 | 5A / 250V               | DPDT 1NO, 1NC |               |
| CHL-5200     | Roller Plunger               | 5A / 250V               | DPDT 1NO, 1NC |               |
| CHL-5220     | Cross Roller Plunger         | 5A / 250V               | DPDT 1NO, 1NC |               |
| CHL-5300     | Coil Spring With Plastic End | 5A / 250V               | DPDT 1NO, 1NC |               |
| CHL-5330     | Spring wire                  | 5A / 250V               | DPDT 1NO, 1NC |               |

