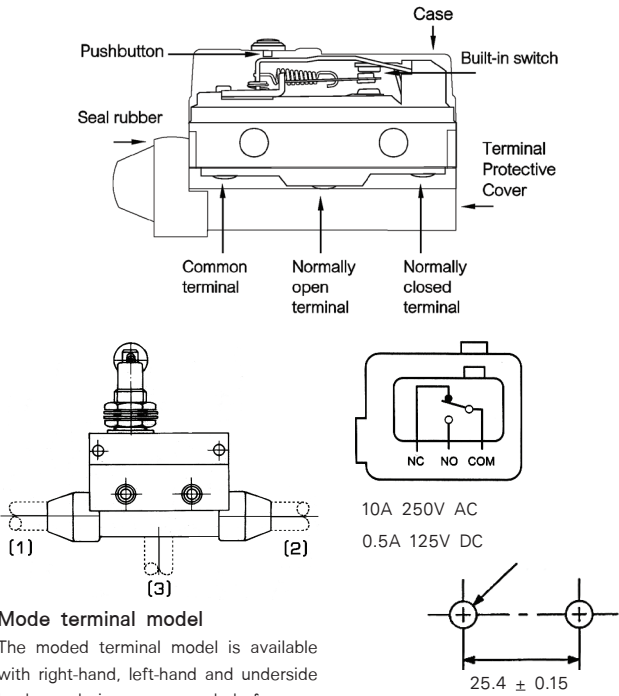




**MAIN FEATURES :**

- ✓ Various Actuators, operation position is adjustable (such as CZ-7121)
- ✓ Outer shell covered with intensive plastic, water-proof and oil-proof. The mechanical strength is better than CM type of micro switch



**Characteristics**

|                       |  |
|-----------------------|--|
| Operating speed       | 0.5mm to 50cm/sec  |
| Operating frequency   | Mechanical : 120 operations/min.<br>Electrical : 30 operations/min.  |
| Contact resistance    | 15M Ω max. (initial value)   |
| Insulation resistance | 100M Ω above (at 500 VDC)  |
| Dielectric strength   | 1000 VAC, 50/60 Hz for 1 minute between terminals of the same polarity<br>1500 VAC, 50/60 Hz for 1 minute between current-carrying and noncurrent-carrying metal parts<br>1500 VAC, 50/60 Hz for 1 minute between each terminal and ground |
| Vibration             | Action:10 to 55Hz,1.5mm pairs swing  |
| Shock resistant       | Mechanical durability :<br>Approx. 1,000m/sec <sup>2</sup> (approx. 100G's)<br>Malfunction durability :<br>Approx. 300m/sec <sup>2</sup> (approx. 30G's)   |
| Ambient temperature   | Operating: -10°C to +80°C  |
| Humidity              | <95%RH   |
| Service life          | Mechanical : 10,000,000 operations above (under rated OT)<br>Electrical : 500,000 operations above   |
| Degree of protection  | IP40   |

**Mode terminal model**

The moded terminal model is available with right-hand, left-hand and underside leads and is recommended for use where the switch is exposed to dust, oil moisture.

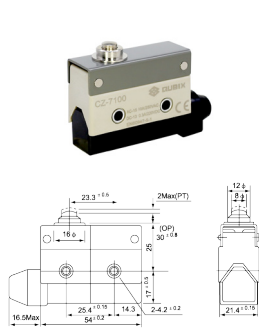
**Note:**

1. Inductive loads have a power factor of 0.4min.(AC) and a time constant of 7 ms max.(DC).
2. Lamp load has an inrush current of 10 times the steady-state current.
3. Motor load has an inrush current of 6 times the steady-state current

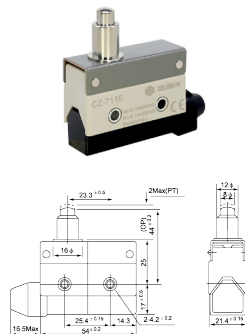
| Rated Voltage | Non-inductive load |     |           |      | Inductive load |      |            |      |
|---------------|--------------------|-----|-----------|------|----------------|------|------------|------|
|               | Resistive Load     |     | Lamp Load |      | Inductive load |      | Motor Load |      |
|               | NC                 | NO  | NC        | NO   | NC             | NO   | NC         | NO   |
| 125 VAC       | 10                 | 10  | 3         | 1.5  | 10             | 10   | 5          | 2.5  |
| 250 VAC       | 10                 | 10  | 2.5       | 1.25 | 10             | 10   | 3          | 1.5  |
| 8 VDC         | 10                 | 10  | 3         | 1.5  | 6              | 6    | 5          | 2.5  |
| 30 VDC        | 6                  | 6   | 3         | 1.5  | 5              | 5    | 5          | 2.5  |
| 125 VDC       | 0.5                | 0.5 | 0.4       | 0.4  | 0.05           | 0.05 | 0.05       | 0.05 |

| Types of actuator                | Model   | OF max (g) | RF min (g) | PT max (mm) | OT min (mm) | MD max (mm) | FP max (mm) | OP (mm)    |
|----------------------------------|---------|------------|------------|-------------|-------------|-------------|-------------|------------|
| Short push plunger               | CZ-7100 | 600        | 100        | 2.0         | 0.8         | 0.8         | -           | 30.5 ± 0.8 |
| Push plunger                     | CZ-7110 | 600        | 100        | 2.0         | 5.0         | 0.8         | -           | 44 ± 1.2   |
| Hinge lever                      | CZ-7120 | 150        | 40         | 13.5        | 4.0         | 3.2         | 35          | 25 ± 1     |
| Roller lever                     | CZ-7121 | 180        | 50         | 11          | 3.0         | 2.4         | -           | 40 ± 1     |
| One-way roller lever             | CZ-7124 | 200        | 60         | 11          | 3.0         | 2.4         | -           | 50 ± 1.2   |
| Hinge short lever                | CZ-7140 | 220        | 60         | 8.5         | 2.5         | 2.0         | 32          | 25 ± 1     |
| Short roller lever               | CZ-7141 | 240        | 80         | 6.5         | 2.0         | 1.5         | 46          | 40 ± 1     |
| One-way short roller lever       | CZ-7144 | 280        | 100        | 6.5         | 2.0         | 1.5         | 56          | 50 ± 1.2   |
| Flexible rod                     | CZ-7166 | 120        | -          | 250         | 11          | -           | -           | -          |
| Panel mount push plunger         | CZ-7310 | 600        | 100        | 2.0         | 6.0         | 0.8         | -           | 21.8 ± 1.2 |
| Panel mount roller plunger       | CZ-7311 | 600        | 100        | 2.0         | 6.0         | 0.8         | -           | 33.3 ± 1.2 |
| Panel mount cross roller plunger | CZ-7312 | 600        | 100        | 2.0         | 6.0         | 0.8         | -           | 33.3 ± 1.2 |

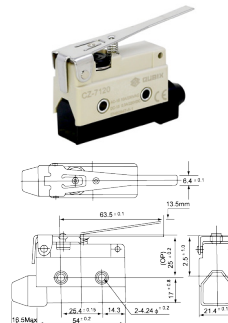




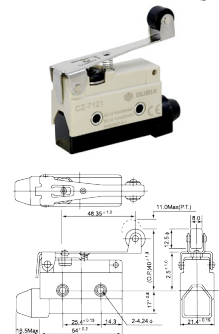
CZ-7100



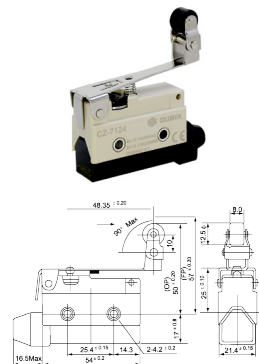
CZ-7110



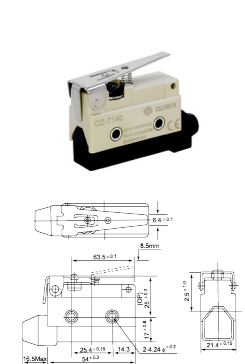
CZ-7120



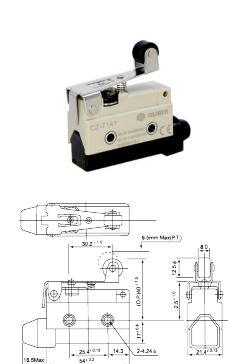
CZ-7121



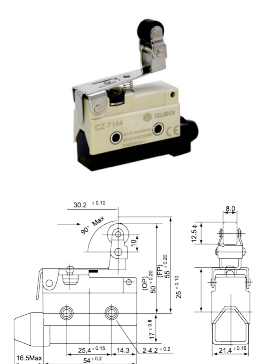
CZ-7124



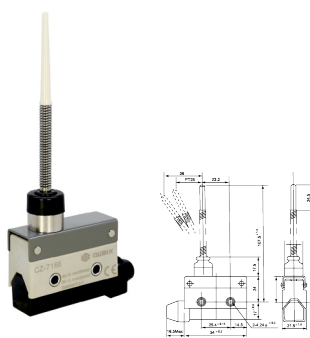
CZ-7140



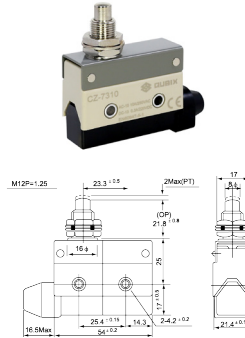
CZ-7141



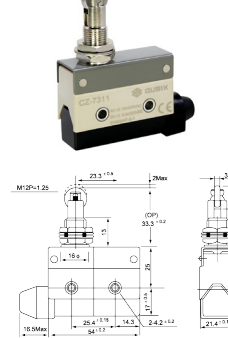
CZ-7144



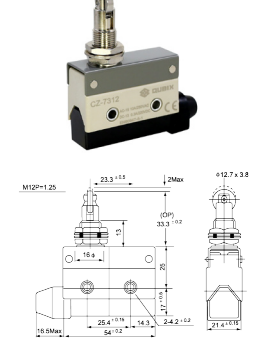
CZ-7166



CZ-7310



CZ-7311



CZ-7312

CZ-7000 Series

| รุ่น (Model) | ลักษณะ<br>หน้าสัมผัสทำงาน        | Rated<br>Current / Voltage | Contact Type  | Terminal<br>Type | Packing<br>Pcs/Box |
|--------------|----------------------------------|----------------------------|---------------|------------------|--------------------|
| CZ-7100      | Short Push Plunger               | 10A / 250V                 | DPDT 1NO, 1NC | SCREW<br>TYPE    | 10                 |
| CZ-7110      | Push Plunger                     | 10A / 250V                 | DPDT 1NO, 1NC |                  | 10                 |
| CZ-7120      | Hinge Lever                      | 10A / 250V                 | DPDT 1NO, 1NC |                  | 10                 |
| CZ-7121      | Roller Plunger                   | 10A / 250V                 | DPDT 1NO, 1NC |                  | 10                 |
| CZ-7124      | One-way Roller Lever             | 10A / 250V                 | DPDT 1NO, 1NC |                  | 10                 |
| CZ-7140      | Hinge Short Lever                | 10A / 250V                 | DPDT 1NO, 1NC |                  | 10                 |
| CZ-7141      | Short Roller Lever               | 10A / 250V                 | DPDT 1NO, 1NC |                  | 10                 |
| CZ-7144      | One-way Short Roller Lever       | 10A / 250V                 | DPDT 1NO, 1NC |                  | 10                 |
| CZ-7166      | Flexible rod                     | 10A / 250V                 | DPDT 1NO, 1NC |                  | 10                 |
| CZ-7310      | Panel mount push plunger         | 10A / 250V                 | DPDT 1NO, 1NC |                  | 10                 |
| CZ-7311      | Panel mount roller plunger       | 10A / 250V                 | DPDT 1NO, 1NC |                  | 10                 |
| CZ-7312      | Panel mount cross roller plunger | 10A / 250V                 | DPDT 1NO, 1NC |                  | 10                 |

