

วัดได้ครบทุกค่า บันทึกข้อมูลได้

CE

Technical Parameters

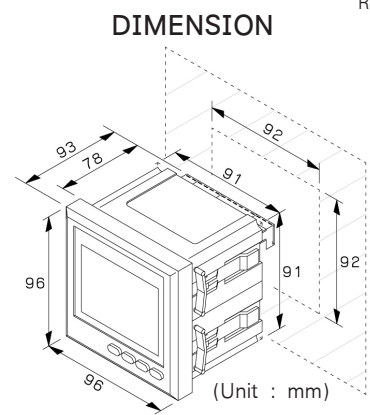
Power : AC 220V
 Display Mode : LCD
 Power Consumption : <5VA
 Real Time Measurement : Three Phase Voltage, Three Phase Current
 Demand
 Harmonic : 2nd - 31st
 Signal Input(Voltage) : Three Phase Four Wires/Three Phase Three Wires
 ;45-65Hz
 Measurement Range : 380V/100V
 Overload : Continuous 1.2 Times; Instantaneous 2 Times
 Power Consumption : <1VA
 Signal Input(Current) : Three Phase Four Wires/Three Phase Three Wires
 Measurement Range : AC 5A
 Overload : Continuous 1.2 Times; Instantaneous 2 Times
 Power Consumption : <1VA

Index

Accuracy Class : Voltage And Current 0.5S
 Frequency +/-0.2Hz
 Active Power 1.0S
 Reactive Power 2.0S
 Communication : RS 485 Communication port, physical layer isolation
 According international standard MODBUS-RTU agreement
 Power Pulse : Passive Optocoupler Output
 Relay Output : Programmable remote control / alarm relay output capacity
 5A/250VAC 5A/30VDC
 Telemetry Switch : Passive Dry Node Input
 Safety : Insulation: Signal, Power Supply, Output Terminal
 On the Shell Resistance >5MΩ
 Withstand Voltage: Signal Input, Power Supply,
 Output Between The Shell >AC2kV
 Environment : Operation: -10 to 55°C
 Storage: -20 to 70°C
 Relative Humidity: <80%RH



HL-S96-5 3FHMF-Y

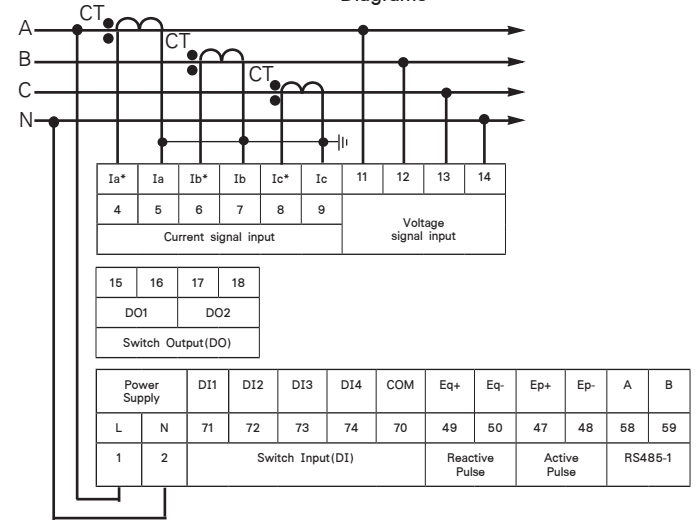


HL-S96-5 3FHMF-Y-4120

All Parameter Measuring Functions

- Phase-Null Voltage(VL-N)
- Phase-Phase Voltage(VL-L)
- Phase Current(A)
- Total Current($\sum A$)
- Active Power(w)
- Reactive Power(var)
- Apparent Power(VA)
- Power Factor(PF.)
- Active Electric Energy(Wh)
- Reactive Electric Energy(varh)
- Average Current(A)
- Frequency(Hz)
- Total Active Power($\sum W$)
- Total Reactive Power($\sum var$)
- Total Apparent Power($\sum VA$)
- Voltage Unbalance(V)
- Voltage Maximum Demand(V)
- Active Power Maximum Demand(W)
- Reactive Power Maximum Demand(var)
- Time Of Demand(Hr/Mins/Sec)
- Date Of Demand(M/D/Y)
- Residual Current(mA)
- Harmonic 2nd - 31st

Diagrams



HL-S96 Series Multifunction Digital Combined Panel meter

รุ่น (Model)	Power	All Parameter	Harmonic	RS-485 Communication	4 Channel input	2 channel electric energy pulse output	2 channel output
HL-S96-5 3FHMF-Y-4120	AC/DC 80-270V	✓	✓	✓	✓	✓	✓
HL-S96-5 3FHMF-Y		✓	✓	X	X	X	X
HL-S96-5 3FMF-Y-4120		✓	X	✓	✓	✓	✓
HL-S96-5 3FMF-Y		✓	X	X	X	X	X

