



SD-96 Series
Moving Coil Type



SD-96P

Specifications

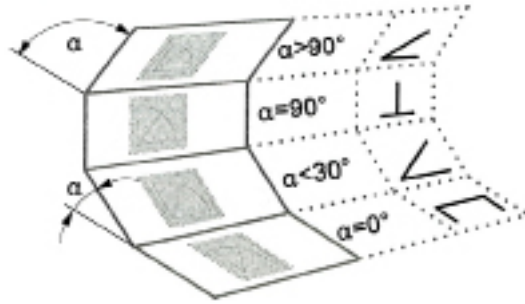
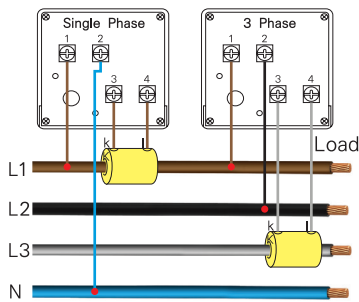
- Reference standard : EN/IEC 60051
- Case-dimensions : DIN 43700
- Scales and pointer : DIN 43802
- Magnetic influence : DIN 43780
- Safety : IEC 1010-1
- Housing : Self-extinguishing polymer ABS according to UL94V-0
- Protection for housing : IP40 as standard
- Protection for terminals : IP20 with back cover
- Accuracy class : 1.5
- Operating frequency : 45~65Hz
- Dielectric test voltage : 2KV/ 50Hz/ 1minute
- Overload AC voltage : x1.2 continuous(x2 for 5 seconds)
- AC Current : x1.2 continuous(x10 for 5 seconds)
- Power consumption**
- Voltage : ≤1.8VA for 500V
- Current : ≤0.7VA for 5A
- Active power factor : $\cos\phi$ -0.5 $\cos\phi$...1...0.5 ind
- Reference temperature : 23°C ± 2°C
- Operating temperature : -25°C to 40°C
- Storage temperature : -40°C to 70°C
- Relative humidity : ≤85%

เพาเวอร์ แฟคเตอร์ มิเตอร์ (Power Factor Meter)

~2.5

รุ่น (Model)	Phase	Accuracy Class	Connection Input Voltage	Measuring Range
SD-96P	1P	2.5	220V	Cap 0.5...1...0.5 IND
SD-96P	3P	2.5	380V	Cap 0.5...1...0.5 IND

CONNECTION DIAGRAM



Markings concerning the working position

DIMENSION

