

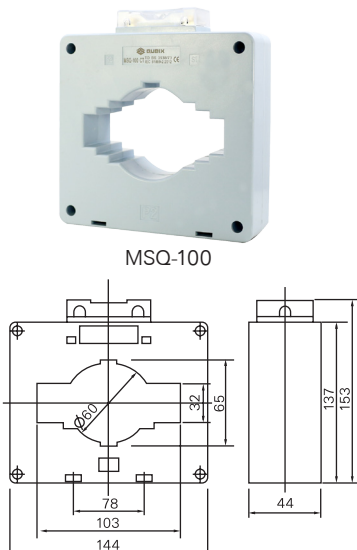
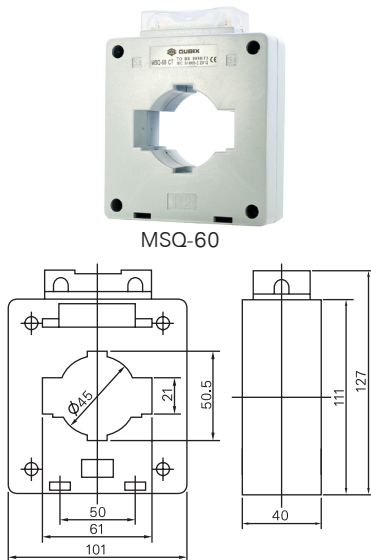
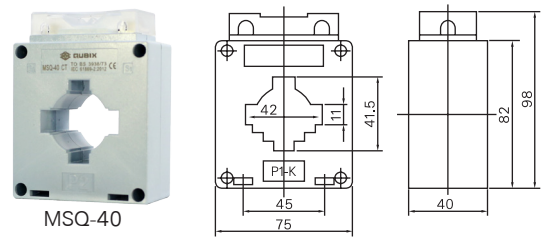
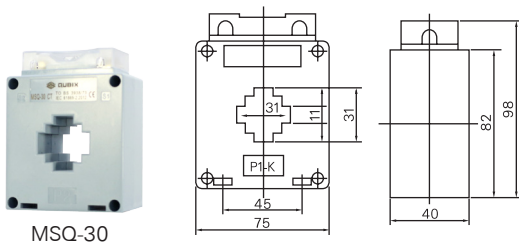
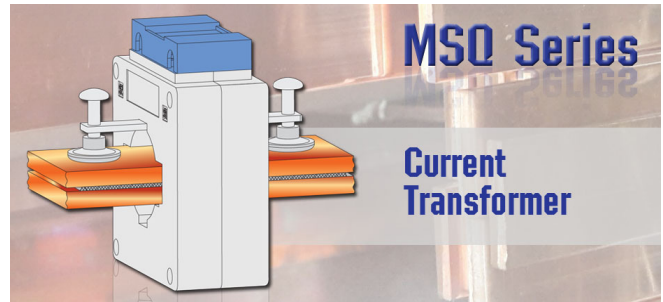


**SPECIFICATION**

- Product Standard : IEC 61869-2;GB20840.1;GB20840.2
- Rated primary current : 30A-2500A
- Rated secondary current : 5A
- Accuracy Class : 1
- Highest voltage : 0.66Kv
- Operating frequency : 50/60Hz
- Withstand voltage : 3kV
- Security factor : FS<sub>5</sub>
- Case material : UL flame retardant rating UL94 V-2
- Continuous current : 1.2xIn
- Insulation test : 3kV/1min
- Operating temperature : -25 to + 55 °C
- Storage temperature : -35 to + 70 °C

**MAIN FEATURES :**

- ✓ Good accuracy
- ✓ Low cost (economic price)



MSQ-Series			Class 1.0		
รุ่น (Model)	Window	Burden Output	Current (A)	Through No. (Turns)	Packing Pcs/Ctns
			Primary/Secondary		
MSQ-30	30x10 mm.	2.5VA	30/5A	1	60
			40/5A	1	60
			50/5A	1	60
			60/5A	1	60
MSQ-30	30x10 mm.	5VA	80/5A	1	60
			100/5A	1	60
			125/5A	1	60
			150/5A	1	60
			160/5A	1	60
MSQ-40	40x10 mm.	5VA	200/5A	1	60
			250/5A	1	60
			300/5A	1	60
			400/5A	1	60
MSQ-60	60x20 mm.	10VA	400/5A	1	40
			500/5A	1	40
			600/5A	1	40
			800/5A	1	40
MSQ-100	100x30 mm.	15VA	1000/5A	1	20
			1500/5A	1	20
			2000/5A	1	20
			2500/5A	1	20
MFO-130	130x10 mm.	15VA	5000/5A	1	10

